

TYRE REPAIR (KIT)

- Cold patch for the repair of car, truck bus and other agricultural machineries.
- Patch sticher
- Vulcanizing fluid
- Liquid buffer
- Cross rim wrenches different sizes
- Tyre lever different capacity and accessories (to be specified)
- Tyre inflator different capacity and accessories
- Tyre pressure gauge with 0 – 25 kg/cm²
- Hydraulic jack 3, 5, 10, 20 tons (one each)
- Mechanical jack 15 ton
- First aid kit with box complete
- Hearing protector: 5 pcs
- Fire extinguisher all purpose, dry chemical type.



TYRE LEVER'S



CODE	L mm	L inch	g	<input type="checkbox"/>
6360 26 0600	600	24"	910	5



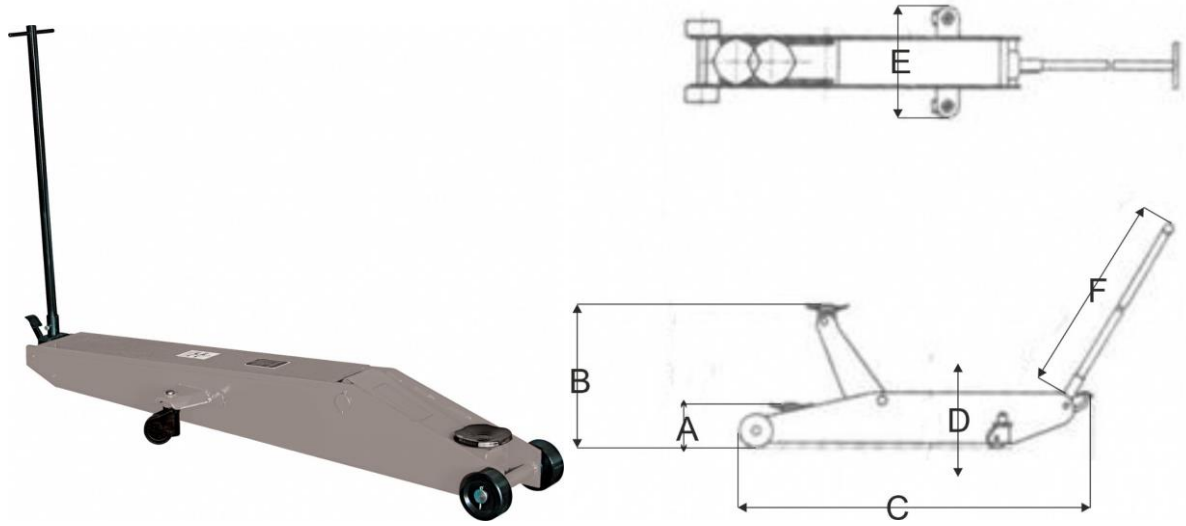
CODE	L mm	L inch	g	<input type="checkbox"/>
6350 26 0300	300	12"	265	5
6350 26 0400	400	16"	440	5
6350 26 0500	500	20"	675	5
6350 26 0600	600	24"	900	5

TYRE INFLATOR

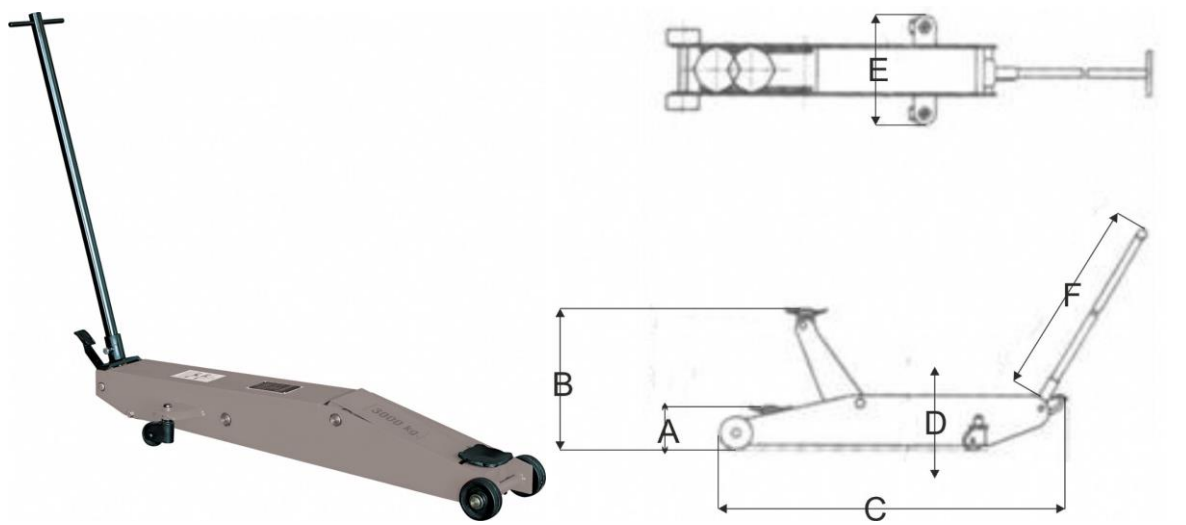


HYDRAULIC TROLLEY JACK

4 PCS (3 Ton & 5 Ton & 10 Ton & 20 Ton)



CAPACITY	A (mm)	B (mm)	F (mm)	C (mm)	E (mm)	D (mm)	Kg
20000 Kg	200	590	1230	2050	460	185	183



CAPACITY	A (mm)	B (mm)	F (mm)	C (mm)	E (mm)	D (mm)	Kg
3000 Kg	135	500	1030	1400	370	135	53

MECHANIC JACK – 16 TON

Capacity / Ton	16
Minimum height / mm	1120
Stroke / mm	420
Test load / Ton	20
Weight / kg	65



FIRST AID KIT (WALL ASSEMBLE)



HEARING PROTECTOR (5 PCS)



FIRE EXTINGUISHER – DRY CHEMICAL TYPE

